



**ASTM D1785/D2665 Sch. 40 PVC Pressure/DWV Pipe  
ASTM D1785 Sch. 80 PVC Pressure Pipe  
SOLVENT WELD**

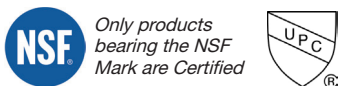
North American Pipe Corporation's ASTM D1785 Solvent Weld PVC Pipe product line is manufactured to meet the needs of residential, commercial, & industrial plumbing systems, and other pressure applications. With top quality raw materials and modern processing technology, our ASTM D1785 pipe meets all industry standards in addition to our own rigorous quality control standards.

For sizes 1/4" and larger, our ASTM D1785 Schedule 40 pipe is also dual rated to ASTM D2665 for DWV applications. This gives the designer, installer, and end user the flexibility of one product for two distinct applications. North American Pipe produces ASTM D1785 Solvent Weld pipe in both solid wall and various perforated styles.



| Short Form Specification  |   |                    |
|---------------------------|---|--------------------|
| <b>Pipe Standard:</b>     | ASTM D1785 & ASTM D2665** Sch. 40   | ASTM D1785 Sch. 80 |
| <b>Applications:</b>      | Water DWV**   | Water              |
| <b>Diameter Std.:</b>     | Iron Pipe Size (IPS)  |                    |
| <b>Nominal Sizes:</b>     | 1/2", 3/4", 1", 1 1/4", 1 1/2", 2", 2 1/2", 3", 4", 5", 6", 8", 10", 12", 14", 16", 18", 20", 24"                                       |                    |
| <b>Pressure Ratings:</b>  | See Next Page   |                    |
| <b>Length:</b>            | 10' or 20'  |                    |
| <b>Color:</b>             | White   | Gray               |
| <b>Pipe Compound:</b>     | ASTM D1784 Cell Class 12454   |                    |
| <b>Pipe Joint Std.:</b>   | ASTM D2672  |                    |
| <b>Pipe Options:</b>      | Solid Wall Plain End (M x M)<br>Solid Wall Bell End (M x F)<br>2 Hole Perforated Bell End (M x F)<br>3 Hole Perforated Bell End (M x F) |                    |
| <b>Certifications:</b>    | NSF 14 & NSF 61<br>IAPMO Uniform Plumbing Code*   |                    |
| <b>Installation Std.:</b> | ASTM D2774 & ASTM D2855   |                    |

\*IAPMO Uniform Plumbing Code listed products must be requested at time of order.  
\*\*Sizes 1/2", 3/4", 1" & 5" are not included in the ASTM D2665 DWV pipe standard.



**USE OF PVC PIPE IN EXHAUST SYSTEMS**

**WARNING:** Failure to follow these instructions exactly could result in serious injury, death, or property damage.

**WARNING:** Flue gas temperature should not exceed 140° Fahrenheit. PVC pipe exposed to temperatures higher than 140° Fahrenheit may melt or change shape, resulting in leakage of exhaust fumes and property damage.

**WARNING CARBON MONOXIDE POISONING HAZARD:** Vent pipe must be properly installed in accordance with all local and national plumbing and HVAC installation standards and codes.

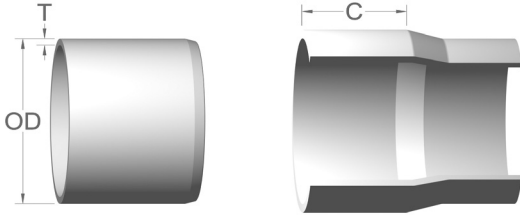
North American Pipe Corporation assumes no responsibility for equipment installed in violation of any code or regulation.

**NorthAmericanPipe.com**

1.855.624.7473 PL-PS-001 0117  
North American Pipe Corporation, a Westlake company  
Copyright © 2017 North American Pipe Corporation. All rights reserved.



**ASTM D1785/D2665 Sch. 40 PVC Pressure/DWV Pipe**  
**ASTM D1785 Sch. 80 PVC Pressure Pipe**  
**SOLVENT WELD**



**Notes:**

1. These dimensions are for estimating purposes only. All dimensions are in inches unless otherwise specified.
2. ASTM Pressure Rating @ 73°F and includes 2:1 safety factor.
3. Internal diameter calculated using nominal outside diameter and minimum wall thickness.

**D1785 PIPE DIMENSIONS & PERFORMANCE**

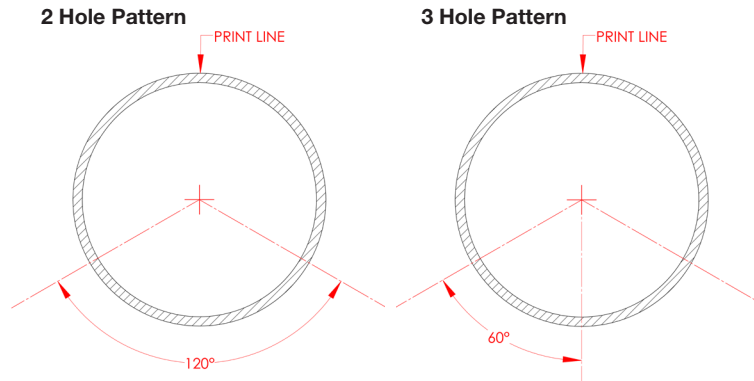
| Nominal Size | Outside Diameter (OD) | Class   | Pressure Rating (psi) | Min. Wall Thickness (T1) | Internal Diameter (ID) | Bell Depth (C) |
|--------------|-----------------------|---------|-----------------------|--------------------------|------------------------|----------------|
| ½"           | 0.840                 | Sch. 40 | 600                   | 0.109                    | 0.622                  | 1.750          |
|              |                       | Sch. 80 | 850                   | 0.147                    | 0.546                  |                |
| ¾"           | 1.050                 | Sch. 40 | 480                   | 0.113                    | 0.824                  | 2.500          |
|              |                       | Sch. 80 | 690                   | 0.154                    | 0.742                  |                |
| 1"           | 1.315                 | Sch. 40 | 450                   | 0.133                    | 1.049                  | 2.500          |
|              |                       | Sch. 80 | 630                   | 0.179                    | 0.957                  |                |
| 1¼"          | 1.660                 | Sch. 40 | 370                   | 0.140                    | 1.380                  | 2.500          |
|              |                       | Sch. 80 | 520                   | 0.191                    | 1.278                  |                |
| 1½"          | 1.900                 | Sch. 40 | 330                   | 0.145                    | 1.610                  | 2.500          |
|              |                       | Sch. 80 | 470                   | 0.200                    | 1.500                  |                |
| 2"           | 2.375                 | Sch. 40 | 280                   | 0.154                    | 2.067                  | 3.250          |
|              |                       | Sch. 80 | 400                   | 0.218                    | 1.939                  |                |
| 2½"          | 2.875                 | Sch. 40 | 300                   | 0.203                    | 2.469                  | 3.500          |
|              |                       | Sch. 80 | 420                   | 0.276                    | 2.323                  |                |
| 3"           | 3.500                 | Sch. 40 | 260                   | 0.216                    | 3.068                  | 4.250          |
|              |                       | Sch. 80 | 370                   | 0.300                    | 2.900                  |                |
| 4"           | 4.500                 | Sch. 40 | 220                   | 0.237                    | 4.026                  | 5.500          |
|              |                       | Sch. 80 | 320                   | 0.337                    | 3.826                  |                |
| 5"           | 5.563                 | Sch. 40 | 190                   | 0.258                    | 5.047                  | 6.000          |
|              |                       | Sch. 80 | 290                   | 0.375                    | 4.813                  |                |
| 6"           | 6.625                 | Sch. 40 | 180                   | 0.280                    | 6.065                  | 7.000          |
|              |                       | Sch. 80 | 280                   | 0.432                    | 5.761                  |                |
| 8"           | 8.625                 | Sch. 40 | 160                   | 0.322                    | 7.981                  | 7.500          |
|              |                       | Sch. 80 | 250                   | 0.500                    | 7.625                  |                |
| 10"          | 10.750                | Sch. 40 | 140                   | 0.365                    | 10.020                 | 8.500          |
|              |                       | Sch. 80 | 230                   | 0.593                    | 9.564                  |                |
| 12"          | 12.750                | Sch. 40 | 130                   | 0.406                    | 11.938                 | 10.000         |
|              |                       | Sch. 80 | 230                   | 0.687                    | 11.376                 |                |
| 14"          | 14.000                | Sch. 40 | 130                   | 0.437                    | 13.126                 | 10.000         |
| 16"          | 16.000                | Sch. 40 | 130                   | 0.500                    | 15.000                 | 10.000         |
| 18"          | 18.000                | Sch. 40 | 130                   | 0.562                    | 16.876                 | 12.000         |
| 20"          | 20.000                | Sch. 40 | 120                   | 0.593                    | 18.814                 | 12.000         |
| 24"          | 24.000                | Sch. 40 | 120                   | 0.687                    | 22.626                 | 12.000         |

**PRODUCT SPECIFICATION**



**ASTM D1785/D2665 Sch. 40 PVC Pressure/DWV Pipe**  
**ASTM D1785 Sch. 80 PVC Pressure Pipe**  
**SOLVENT WELD**

| D1785 PIPE PERFORATION PATTERNS |                  |                              |                                |                    |                                       |
|---------------------------------|------------------|------------------------------|--------------------------------|--------------------|---------------------------------------|
| Nominal Size                    | Perforation Rows | Circumferential Hole Spacing | Longitudinal Hole Spacing (in) | Hole Diameter (in) | Inlet Area (in <sup>2</sup> /ft pipe) |
| 4"                              | 2                | 120°                         | 5.000                          | 0.500              | 0.942                                 |
|                                 | 3                | 60°-60°                      | 5.000                          | 0.500              | 1.414                                 |
| 6"                              | 2                | 120°                         | 5.000                          | 0.500              | 0.942                                 |
|                                 | 3                | 60°-60°                      | 5.000                          | 0.500              | 1.414                                 |
| 8"                              | 2                | 120°                         | 5.000                          | 0.500              | 0.942                                 |
|                                 | 3                | 60°-60°                      | 5.000                          | 0.500              | 1.414                                 |



**PRODUCT SPECIFICATION**