



## Product Description:



### **ASTM D2241 IPS Gasketed PVC Pipe for Reclaimed Water Applications**

North American Pipe's IPS-Gasketed product line is manufactured to meet the needs of reclaimed water distribution systems, irrigation systems and other applications requiring ASTM D2241 piping systems. With top quality raw materials and modern processing technology North American Pipe's IPS-Gasketed pipe meets all industry standards in addition to our own rigorous quality control standards. North American Pipe's IPS-Gasketed pipe utilizes Reiber style gaskets throughout the entire product offering. North American Pipe produces a broad range of IPS pipe in SDR-13.5, SDR-17, SDR-21, SDR-26, SDR-32.5 and SDR-41 classifications. Whether specifying or installing our pipe you can be assured that North American Pipe will provide the pipe "Right, On Time, All the Time".

### **This product is made in accordance with the following specifications:**

ASTM D2241  
ASTM F477

ASTM D1784

ASTM D3139

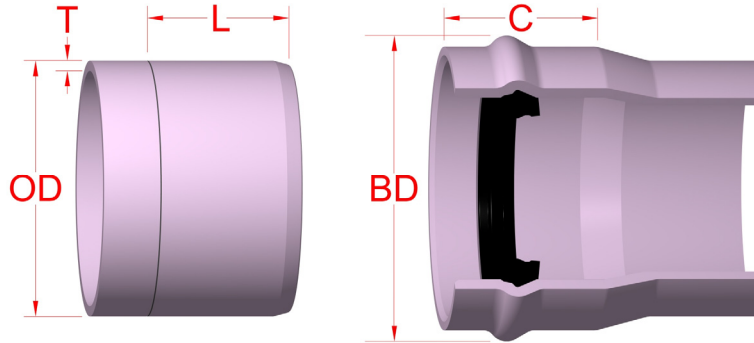
### **Short Form Specification for North American Pipe Corporation ASTM D 2241 IPS Gasketed PVC Pipe for Reclaimed Water Applications**

Reclaimed water pipe shall be made in accordance with ASTM D2241 from a compound conforming to a cell classification of 12454 as defined by ASTM D1784. Integral bells shall incorporate gaskets meeting the requirements of ASTM F477 and be locked into the bell. The assembled gasketed joint shall meet the requirements of ASTM D3139.





## ASTM D2241 IPS Gasketed PVC Pipe for Reclaimed Water Applications



NOMINAL PIPE SIZE	OUTSIDE DIA. – NOM. (OD)	*APPROX. BELL DIA. (BD)	**APPROX. BELL DEPTH (C)	INSERT MARK (L)
1½"	1.900	2.25	3.56	2.63
2"	2.375	3.00	3.76	2.63
2½"	2.875	3.50	4.48	3.38
3"	3.500	4.50	4.82	3.63
4"	4.500	6.00	5.34	4.13
5"	5.563	7.50	6.48	5.00
6"	6.625	8.25	7.30	5.63
8"	8.625	10.75	8.62	6.38
10"	10.750	13.50	9.20	7.00
12"	12.750	15.75	10.27	8.00
16"	16.000	19.75	12.24	9.13

NOMINAL PIPE SIZE	PR 100 SDR 41 (T)	PR 125 SDR 32.5 (T)	PR 160 SDR 26 (T)	PR 200 SDR 21 (T)	PR 250 SDR 17 (T)	PR 315 SDR 13.5 (T)
1½"		.060	.073	.090	.112	.141
2"		.073	.091	.113	.140	.176
2½"		.088	.110	.137	.169	.213
3"	.085	.108	.135	.167	.206	.259
4"	.110	.138	.173	.214	.265	.333
5"	.136	.171	.214	.265	.327	.412
6"	.162	.204	.255	.316	.390	.491
8"	.210	.265	.332	.410	.508	
10"	.262	.331	.413	.511	.632	
12"	.311	.392	.490	.606	.750	
16"			.615	.762		

Note: These dimensions are for estimating purposes only \* Dimension given for Approx. Bell Diameter (BD) is for highest pressure class \*\* Nominal depth, depth will vary by pressure class

Rev: 01/2012