



Product Description:



AWWA C-900 PVC Pipe for Reclaimed Water Applications

North American Pipe's AWWA C-900 PVC product line is manufactured to meet the needs of modern reclaimed water distribution systems. With top quality raw materials and modern processing technology North American Pipe's C-900 reclaimed water pipe meets all industry standards in addition to our own rigorous quality control standards. North American Pipe's C-900 pipe utilizes Reiber style gaskets throughout the entire product offering. North American Pipe produces a full range of C10D pipe in DR-14, DR-18, and DR-25 classifications. Whether specifying or installing our pipe you can be assured that North American Pipe will provide the pipe "Right, On Time, All the Time".

This product is made in accordance with the following specifications:

AWWA C900
ASTM F477

ASTM D1784
PPI TR-3

ASTM D3139

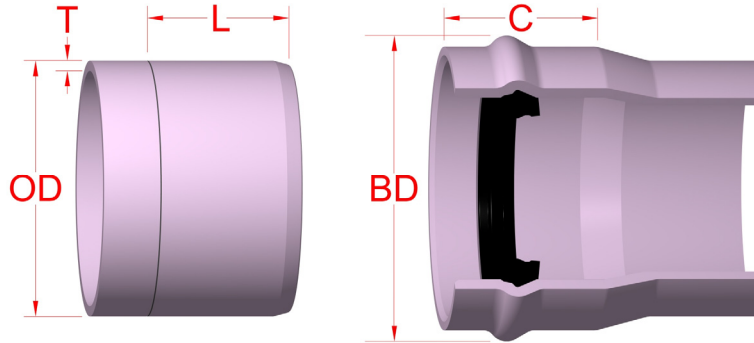
Short Form Specification for North American Pipe Corporation AWWA C-900 PVC Pipe for Reclaimed Water Applications

Reclaimed water pipe shall be made in accordance with AWWA C900 from a compound conforming to a cell classification of 12454 as defined by ASTM D1784. Integral bells shall incorporate gaskets meeting the requirements of ASTM F477 and be locked into the bell. The assembled joint shall meet the requirements of ASTM D3139. The laying length of the pipe shall be 20 feet.





AWWA C-900 PVC Pipe for Reclaimed Water Applications



| NOMINAL PIPE SIZE | OUTSIDE DIA. – NOM. (OD) | *APPROX. BELL DIA. (BD) | **APPROX. BELL DEPTH (C) | INSERT MARK (L) |
|-------------------|--------------------------|-------------------------|--------------------------|-----------------|
| 4" | 4.80 | 6.50 | 6.11 | 3.88 |
| 6" | 6.90 | 9.25 | 7.34 | 5.13 |
| 8" | 9.05 | 11.75 | 9.08 | 6.13 |
| 10" | 11.10 | 14.25 | 9.75 | 6.63 |
| 12" | 13.20 | 16.75 | 11.02 | 7.38 |

| NOMINAL PIPE SIZE | PC 165 DR 25 (T) | PC 235 DR 18 (T) | PC 305 DR 14 (T) |
|-------------------|------------------|------------------|------------------|
| 4" | .192 | .267 | .343 |
| 6" | .276 | .383 | .493 |
| 8" | .362 | .503 | .646 |
| 10" | .444 | .617 | .793 |
| 12" | .528 | .733 | .943 |

Note: These dimensions are for estimating purposes only * Dimension given for Approx. Bell Diameter (BD) is for highest pressure class ** Nominal depth, depth will vary by pressure class

Rev: 01/2010