



Product Description:



ASTM D1785 Schedule 80 Pipe

North American Pipe's ASTM 1785 Schedule 80 product line is manufactured to meet the needs of a broad range of industrial and commercial piping systems. With top quality raw materials and modern processing technology, North American Pipe's Schedule 80 pipe meets and exceeds all industry standards in addition to our own rigorous Quality Control standards. North American Pipe's ASTM 1785 Schedule 80 product line is designed to withstand a broader range of temperature and pressure applications. . Whether specifying or installing our pipe you can be assured that North American Pipe will provide the pipe "Right, On Time, All the Time".

This product is made in accordance with the following specifications:

ASTM D1784
ANSI/NSF 14

ASTM D1785
ANSI/NSF 61

ASTM D2672

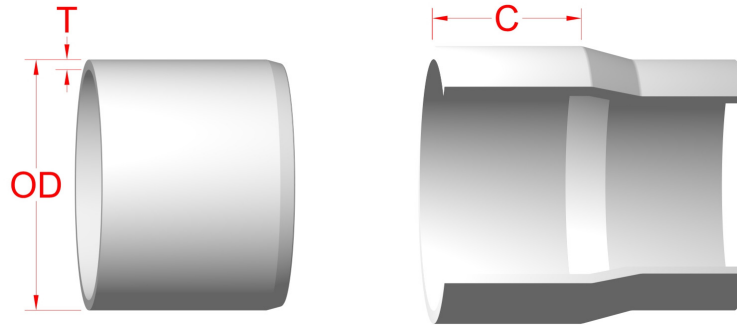
Short Form Specification for North American Pipe Corporation ASTM D1785 Schedule 80 Pipe

Schedule 80 PVC pipe shall be made in accordance with ASTM D1785 from a PVC compound conforming to a cell classification of 12454 as defined by ASTM D1784. Belled end of solvent weld pipe shall meet the requirements of ASTM D2672 when installed in accordance with ASTM D2855. Solvent weld belled end pipe shall be tested and approved for contact with potable water in accordance with ANSI/NSF 61 and NSF 14.





ASTM D1785 Schedule 80 Pipe



NOMINAL PIPE SIZE	OUTSIDE DIA. – NOM.	**APPROX. BELL DEPTH		PRESSURE RATING
	(OD)	(C)	(T)	(psi)
1/2"	0.840	1.75	.147	850
3/4"	1.050	2.50	.154	690
1"	1.315	2.50	.179	630
1 1/4"	1.660	2.50	.191	520
1 1/2"	1.900	2.50	.200	470
2"	2.375	3.25	.218	400
2 1/2"	2.875	3.50	.276	420
3"	3.500	4.25	.300	370
4"	4.500	5.50	.337	320
6"	6.614	7.00	.432	280
8"	8.610	7.50	.500	250
10"	10.735	8.50	.593	230
12"	12.735	10.00	.687	230

Note: These dimensions are for estimating purposes only ** Nominal depth, depth will vary by pressure class

Rev: 01/2012